

SPACING IS BASED ON DITCH SLOPE AND HEIGHT OF EEL.

SPACING RECOMMENDATIONS FOR THE EROSION EEL OF CONVENTIONAL FLOWS

EROSION EEL SLOPE (%)	SINGLE EEL SPACING (ft)	STACKED DUAL EEL SPACING (ft)
0.5	115	233
1	55	115
2	29	58
3	19	38
4	14	29
5	12	23
>=6	10	19

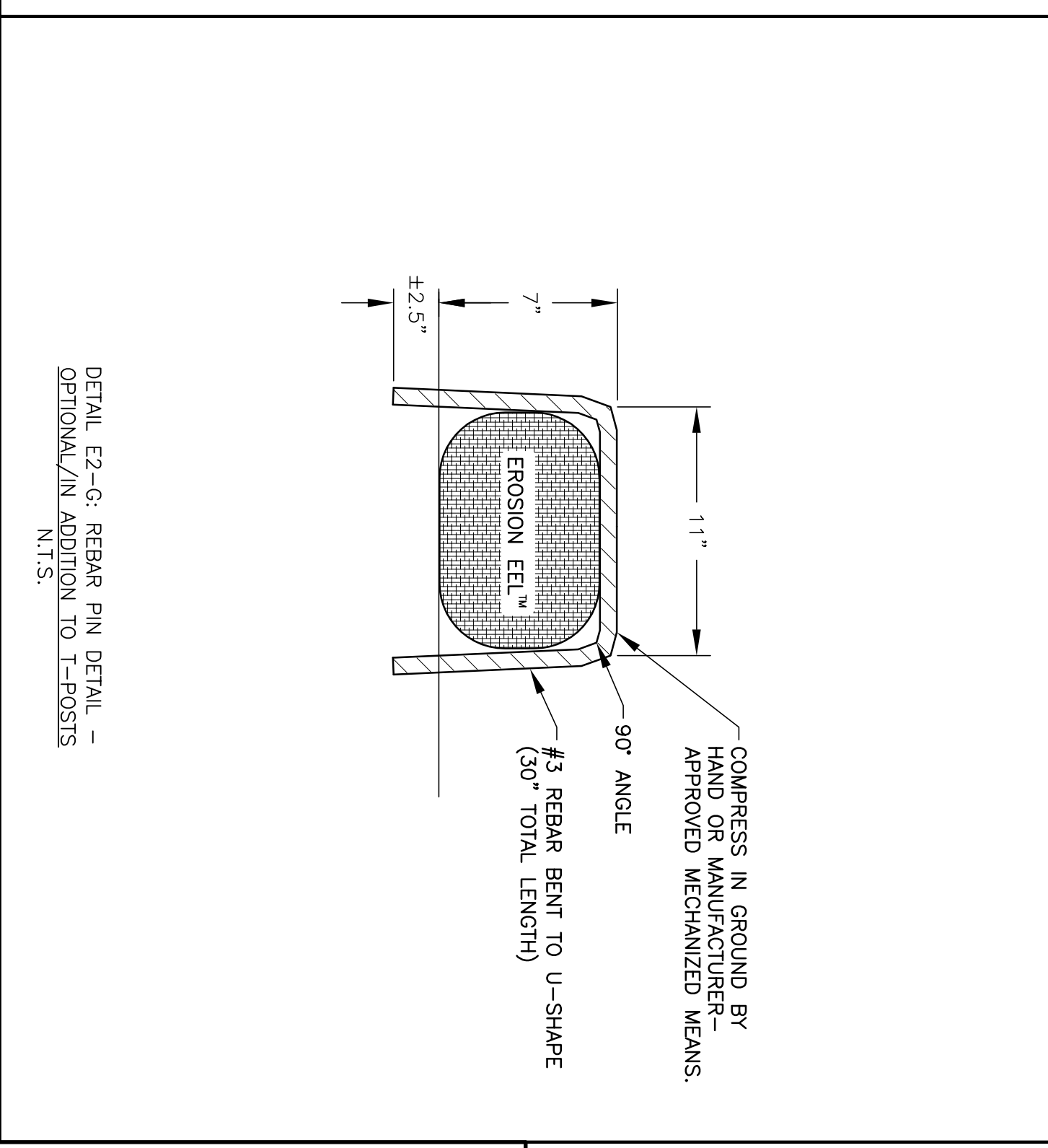
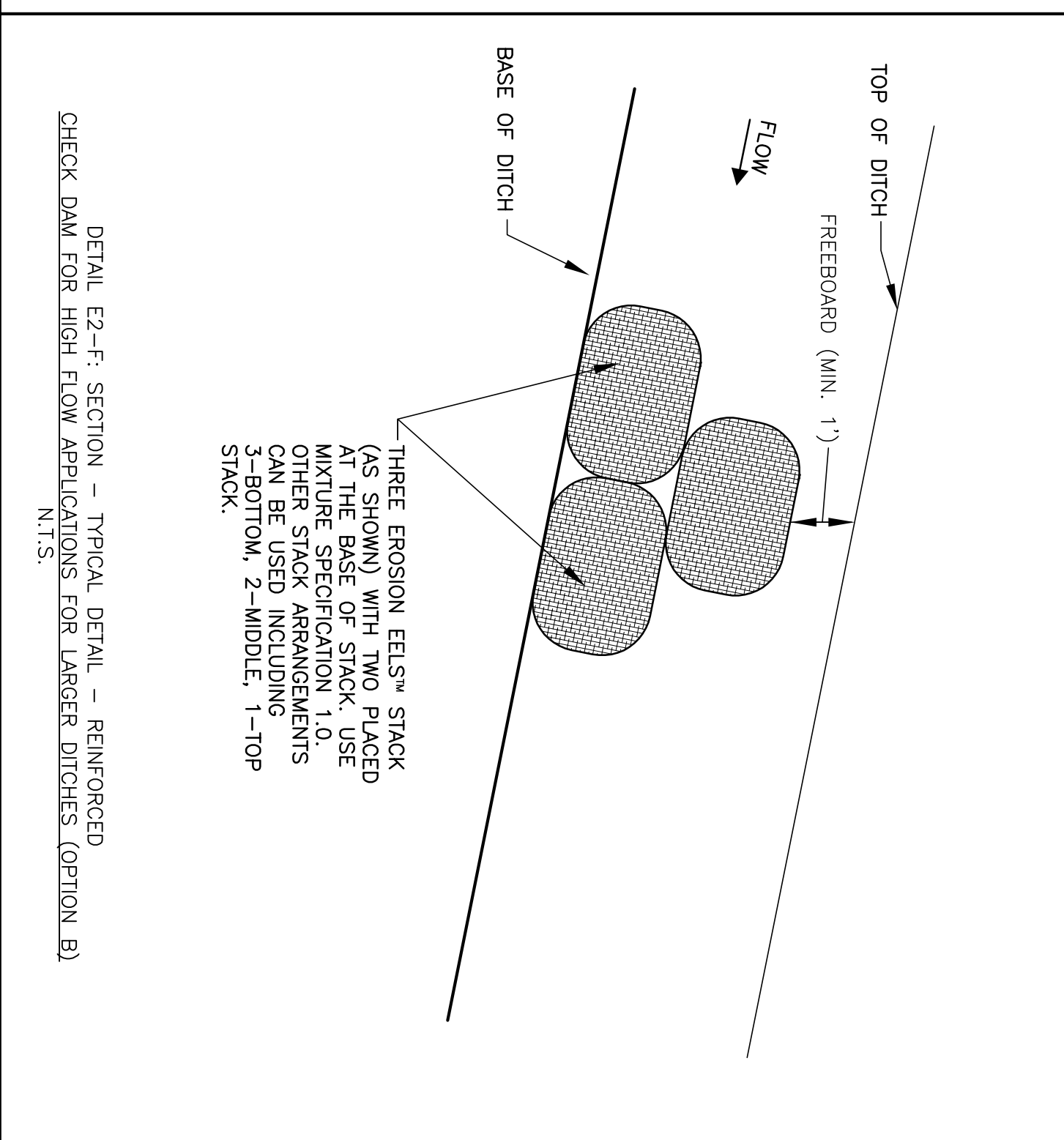
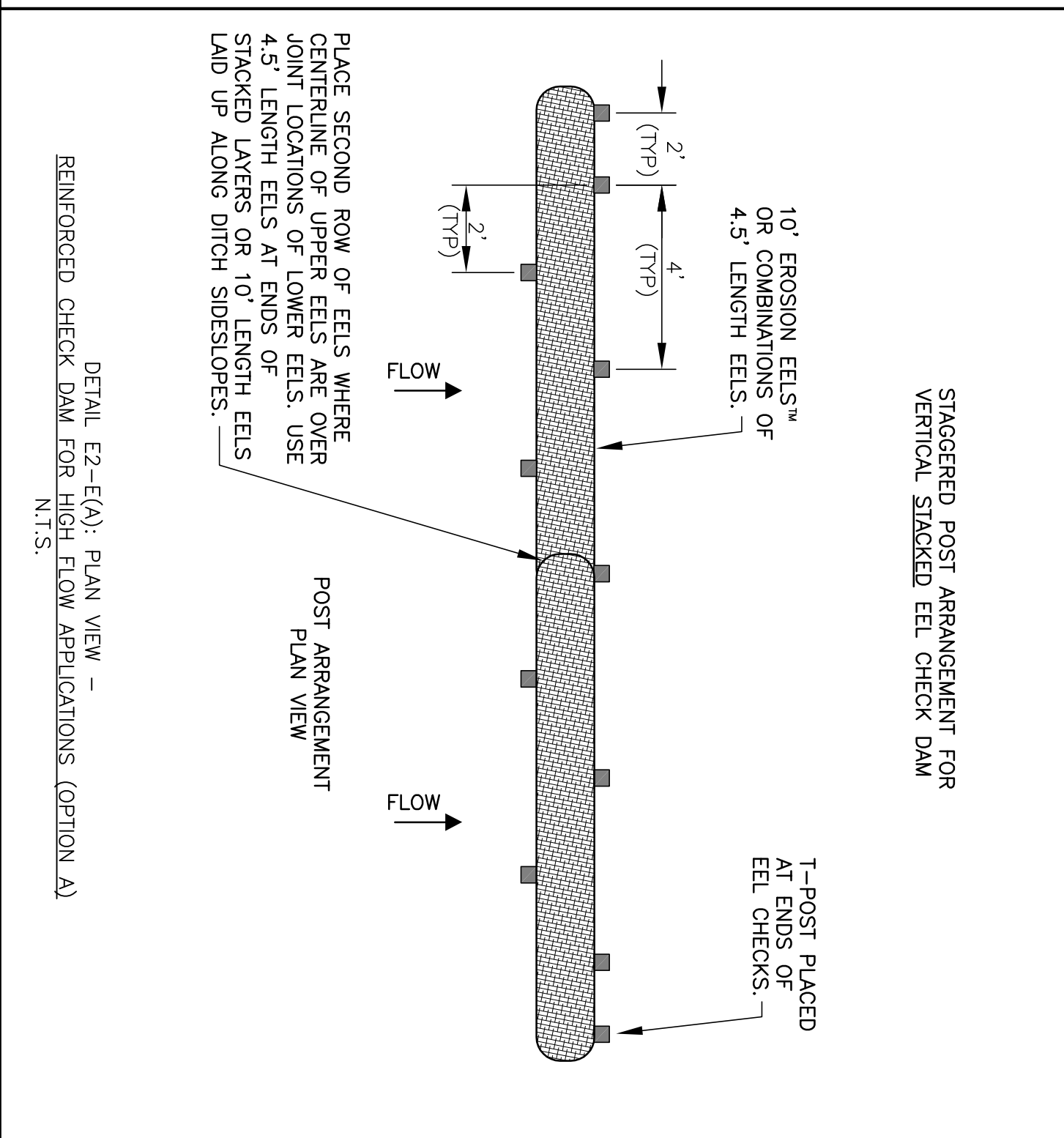
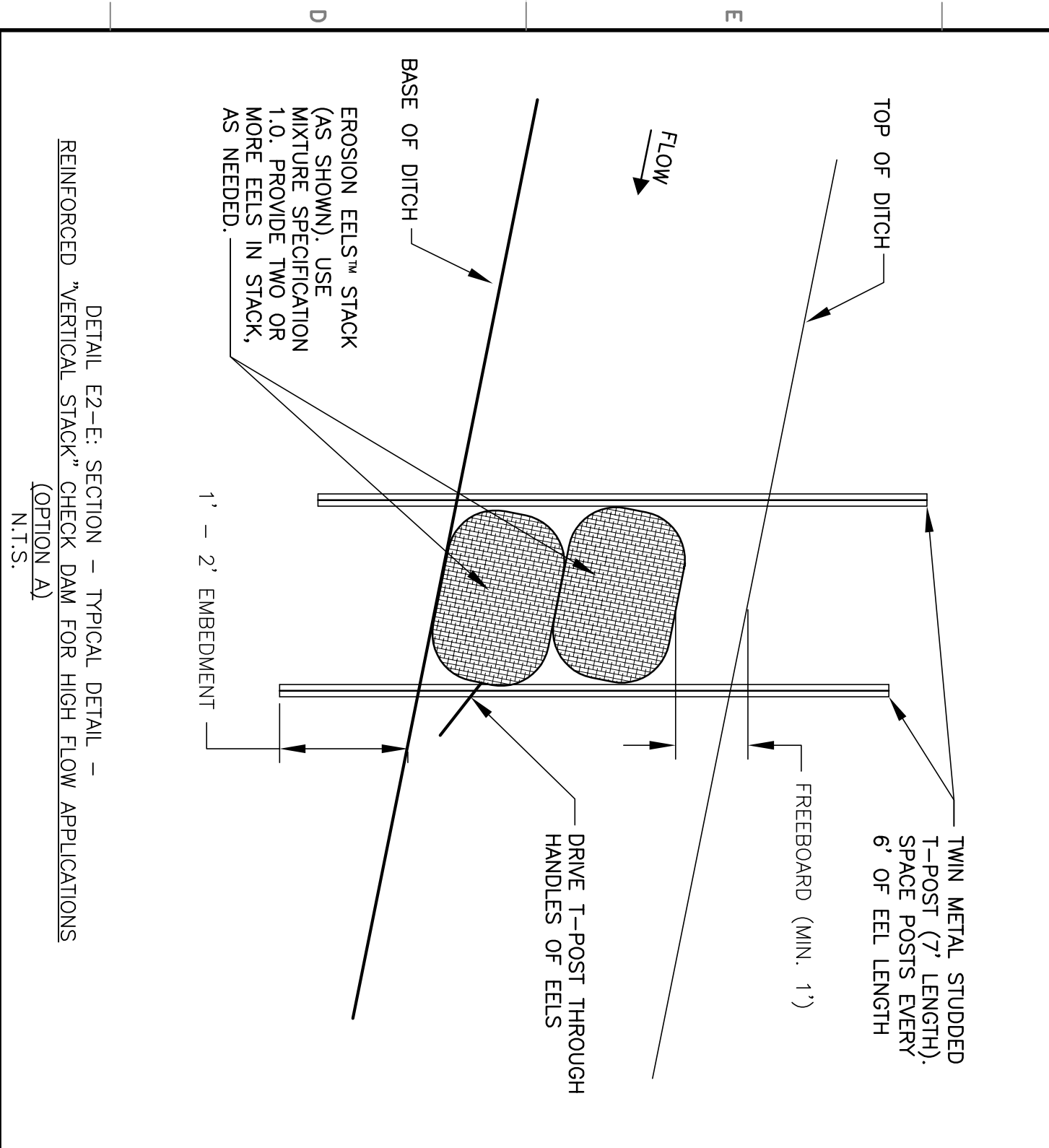
Authorized Use:

- Survey
- Design Dev.
- Permitting
- Bidding
- Construction

SUBMITTAL & REVISION RECORD

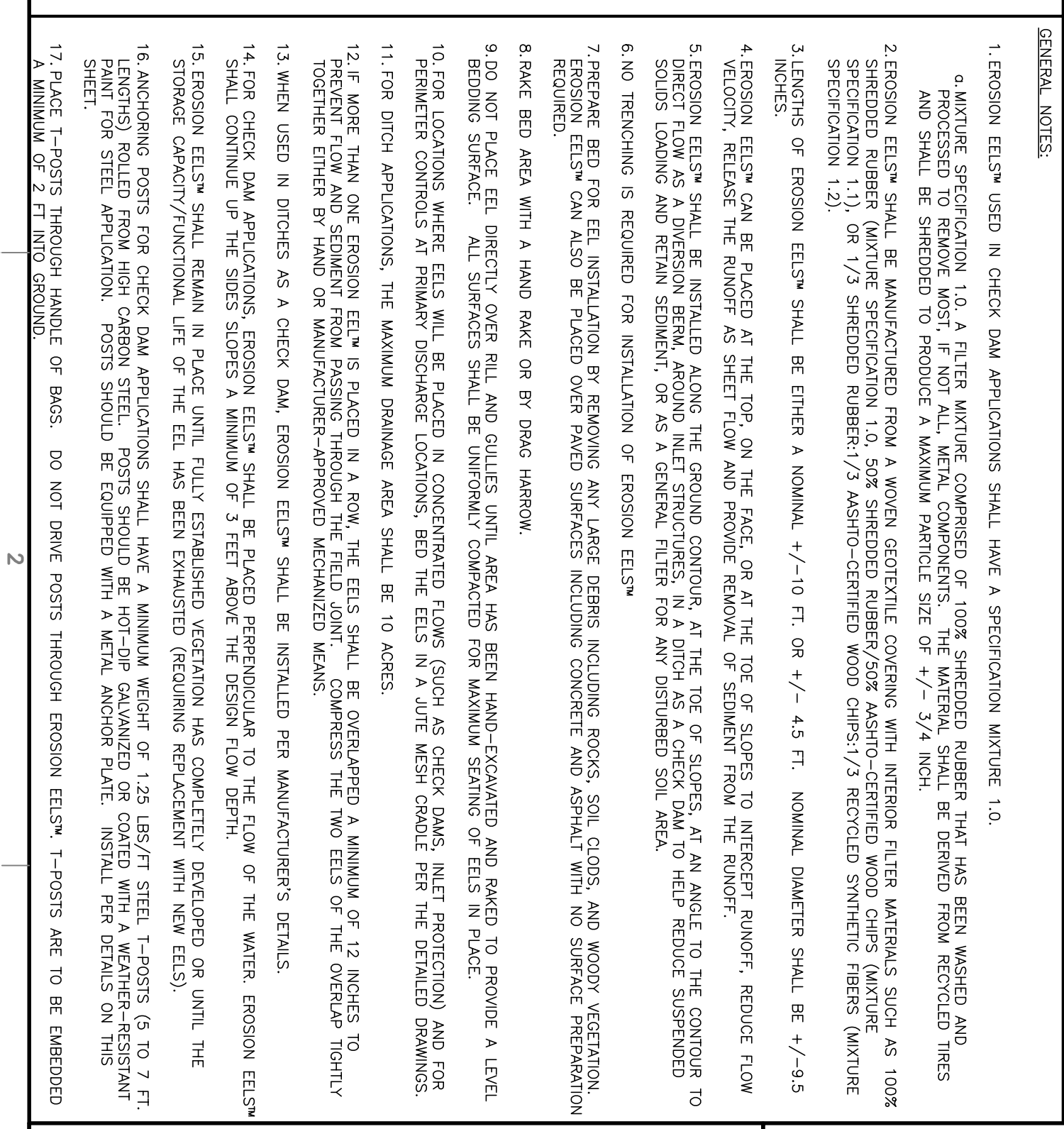
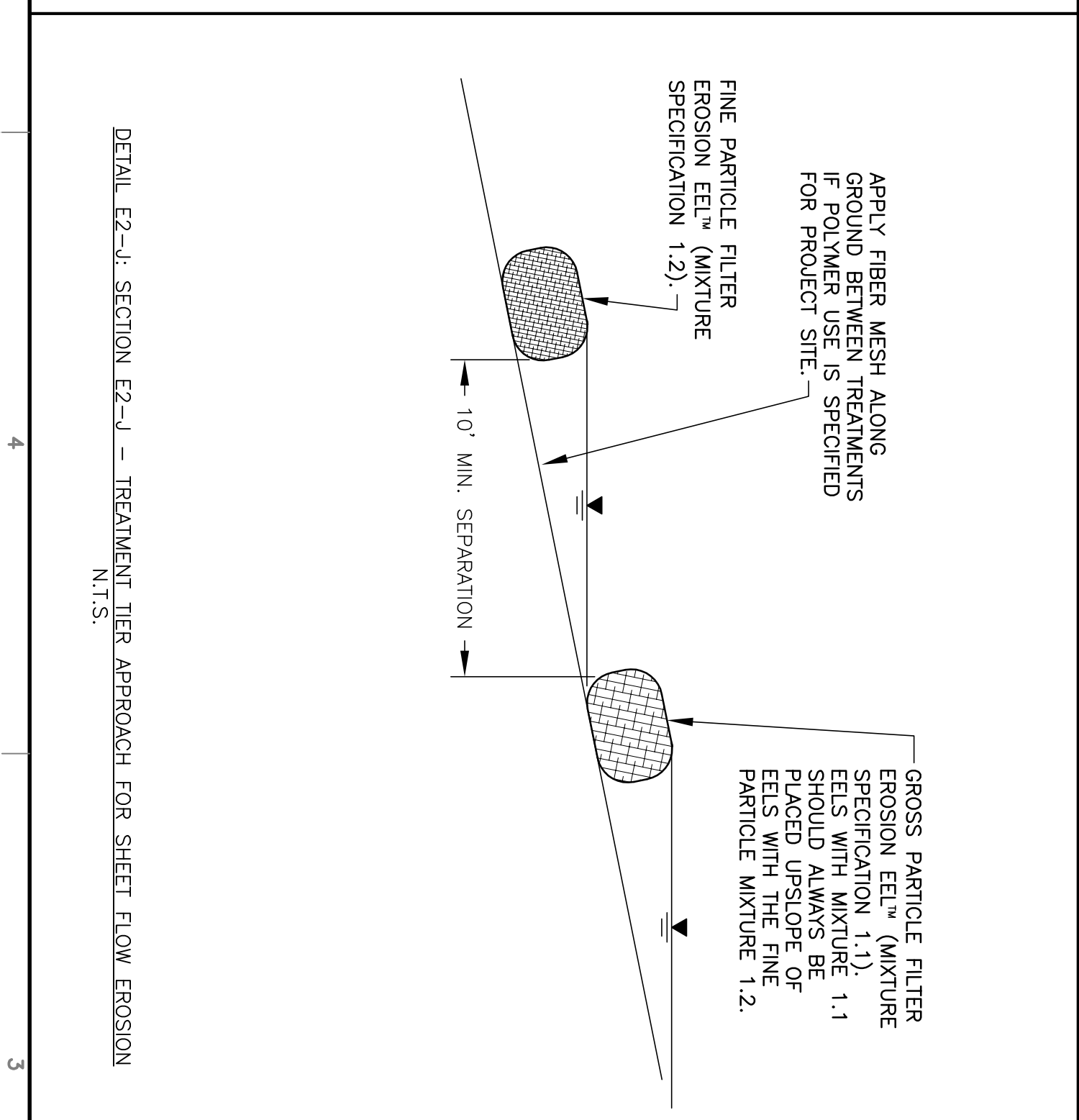
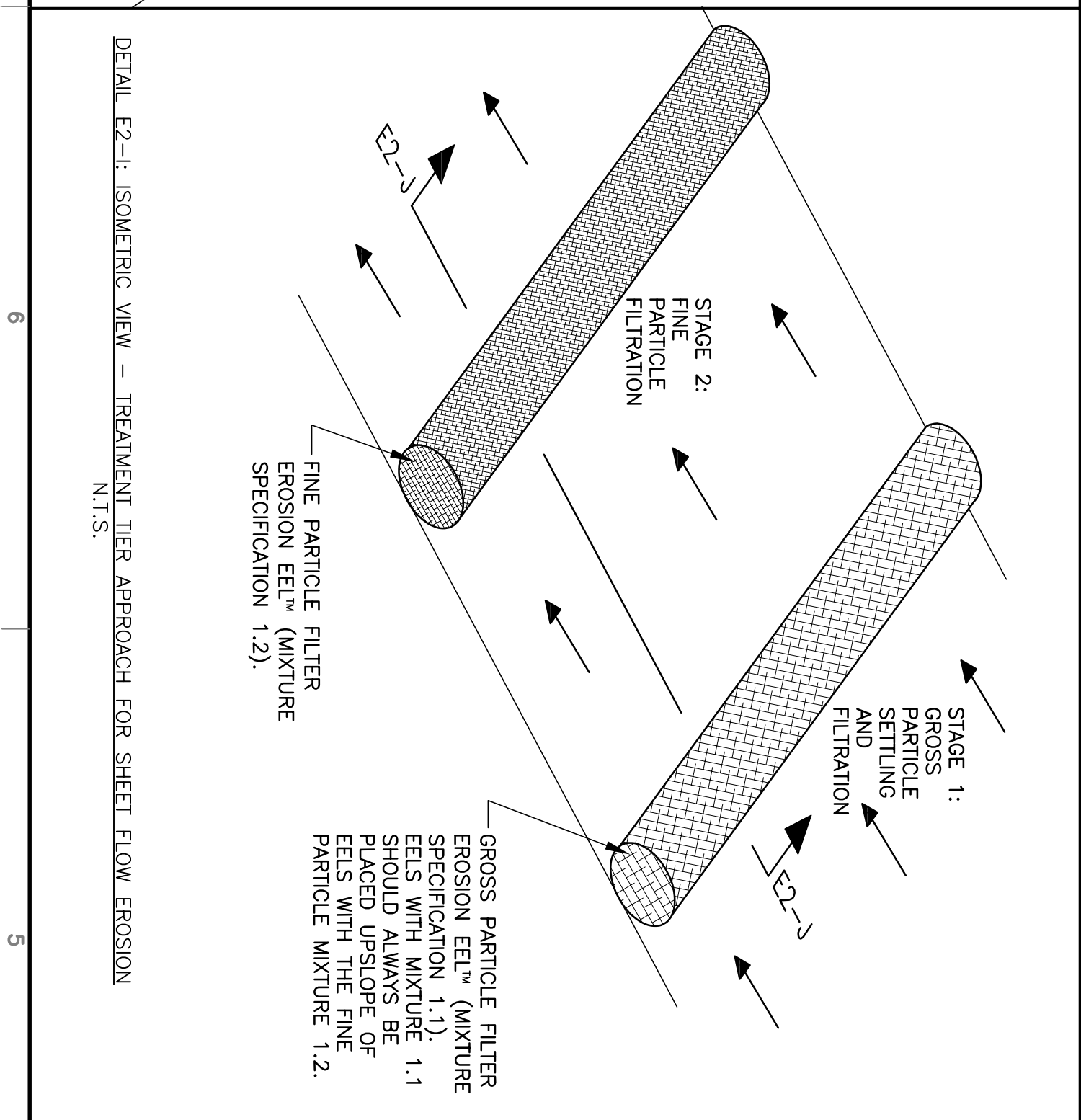
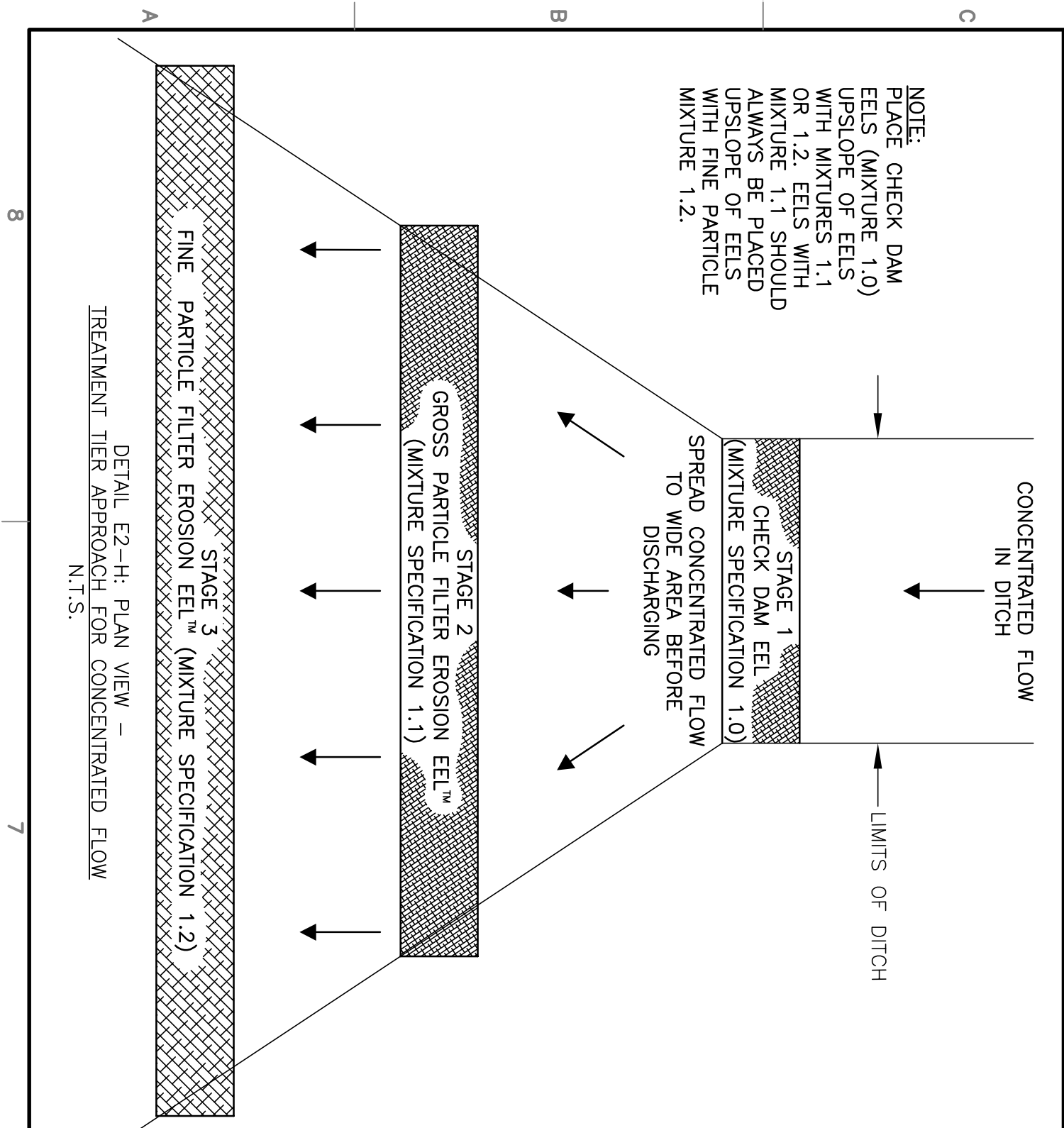
NO.	DATE	DESCRIPTION

866-H20-EELS
866-426-3357



GENERAL NOTES:

- EROSION EELS™ USED IN CHECK DAM APPLICATIONS SHALL HAVE A SPECIFICATION MIXTURE 1.0.
- MIXTURE SPECIFICATION 1.0 IS A FILTER MIXTURE COMPRISED OF 100% SHREDED RUBBER THAT HAS BEEN WASHED AND PROCESSED TO REMOVE MOST, IF NOT ALL, METAL COMPONENTS. THE MATERIAL SHALL BE DERIVED FROM RECYCLED TIRES AND SHALL BE SHREDED TO PRODUCE A MAXIMUM PARTICLE SIZE OF 1/4" - 3/4" INCH.
- EROSION EELS™ SHALL BE MANUFACTURED FROM A WOVEN GEOTEXTILE COVERING WITH INTERIOR FILTER MATERIALS SUCH AS 100% SHREDED RUBBER (MIXTURE SPECIFICATION 1.0, 50% SHREDED RUBBER/50% ASH/50% RECYCLED SYNTHETIC FIBERS (MIXTURE SPECIFICATION 1.1), OR 1/3 SHREDED RUBBER/1/3 ASH/1/3 RECYCLED SYNTHETIC FIBERS (MIXTURE SPECIFICATION 1.2).
- LENGTHS OF EROSION EELS™ SHALL BE EITHER A NOMINAL +/-10 FT. OR +/-4.5 FT. NOMINAL DIAMETER SHALL BE +/-9.5 INCHES.
- EROSION EELS™ CAN BE PLACED AT THE TOP, ON THE FACE, OR AT THE TOE OF SLOPES TO INTERCEPT RUNOFF, REDUCE FLOW VELOCITY, RELEASE THE TENSION AS SHEET PILING AND PROVIDE REMOVAL OF SEDIMENT FROM THE RUNOFF.
- EROSION EELS™ SHALL BE INSTALLED ALONG THE GROUND CONTOUR, AT THE TOE OF SLOPES, AT AN ANGLE TO THE CONTOUR TO PREVENT FLOW AND SEDIMENT FROM PASSING THROUGH THE FIELD JOINT.
- EROSION EELS™ CAN ALSO BE PLACED OVER FENCED SURFACES INCLUDING CONCRETE AND ASPHALT WITH NO SURFACE PENETRATION REQUIRED.
- NO TRENCHING IS REQUIRED FOR INSTALLATION OF EROSION EELS™.
- PREPARE BED FOR EEL INSTALLATION BY REMOVING ANY LARGE DEBRIS INCLUDING ROCKS, SOIL CLUMPS, AND WOODY VEGETATION.
- EROSION EELS™ CAN BE PLACED OVER FENCED SURFACES INCLUDING CONCRETE AND ASPHALT WITH NO SURFACE PENETRATION REQUIRED.
- 8.5'x6' BED AREA WITH A HAND SPAKE OR BY 60#x6" HARROW.
- DO NOT PLACE EEL DIRECTLY OVER RILL AND GULLIES UNLESS AREA HAS BEEN HAND-EXCAVATED AND BANKED TO PROVIDE A LEVEL BEDDING SURFACE. ALL SPACINGS SHALL BE UNIFORMLY COMPACTED FOR MAXIMUM SPACING OF EELS IN TOWER.
- FOR LOCATIONS WHERE EELS WILL BE PLACED IN CONCENTRATED FLOWS (SUCH AS CHECK DAMS, INLET PROTECTION) AND FOR PENETRATOR CONTROLS AT PERMANENT DISCHARGE LOCATIONS, BED THE EELS IN A SLOTE MESH CRADLE PER THE DETAILED DRAWINGS.
- FOR DITCH APPLICATIONS, THE MAXIMUM DRAINAGE AREA SHALL BE 10 ACRES.
- IF MORE THAN ONE EROSION EEL IS PLACED IN A ROW, THE EELS SHALL BE OVERLAPPED A MINIMUM OF 12 INCHES TO PREVENT FLOW AND SEDIMENT FROM PASSING THROUGH THE FIELD JOINT.
- WHEN USED IN DITCHES AS A CHECK DAM, EROSION EELS™ SHALL BE INSTALLED PER MANUFACTURER'S DETAILS.
- FOR CHECK DAM APPLICATIONS, EROSION EELS™ SHALL BE PLACED PERPENDICULAR TO THE FLOW OF THE WATER. EROSION EELS™ SHALL CONTINUE UP THE SIDES SLOPES A MINIMUM OF 3 FEET ABOVE THE DESIGN FLOW DEPTH.
- EROSION EELS™ SHALL REMAIN IN PLACE UNTIL FULLY ESTABLISHED VEGETATION HAS COMPLETELY DEVELOPED OR UNTIL THE STORAGE CAPACITY/FUNCTIONAL LIFE OF THE EEL HAS BEEN EXHAUSTED (REQUIRING REPLACEMENT WITH NEW EELS).
- ANCHORING POSTS FOR CHECK DAM APPLICATIONS SHALL HAVE A MINIMUM WEIGHT OF 1.25 LB/FT STEEL, T-POSTS (5 TO 7 FT LENGTH) ROLLED FROM HIGH CARBON STEEL. POSTS SHOULD BE HOT-DIP GALVANIZED OR COATED WITH A WEATHER-RESISTANT PAINT FOR STEEL APPLICATION. POSTS SHOULD BE EQUIPPED WITH A METAL ANCHOR PLATE. INSTALL PER DETAILS ON THIS SHEET.
- PLACE T-POSTS THROUGH HANDLE OF BAGS. DO NOT DRIVE POSTS THROUGH EROSION EELS™. T-POSTS ARE TO BE EMBEDDED A MINIMUM OF 2 FT INTO GROUND.



NOTE: DRAWINGS SUBJECT TO REVISIONS AT DISCRETION OF MANUFACTURER

© 2007 DENNY HASTINGS AND FRIENDLY ENVIRONMENT

PROJECT NO: E-2

LAST EDIT DATE: JUNE 7, 2007

DWG SCALE: N.T.S.

DRAWN BY: LM

CHECKED BY: KW

QUALITY MANAGER APPROVAL: KW

CHECK DAM DETAILS FOR THE EROSION EEL™

FRIENDLY ENVIRONMENT
100 PRINCE STREET
SHELBYVILLE, TENNESSEE 37160
1-931-607-5953