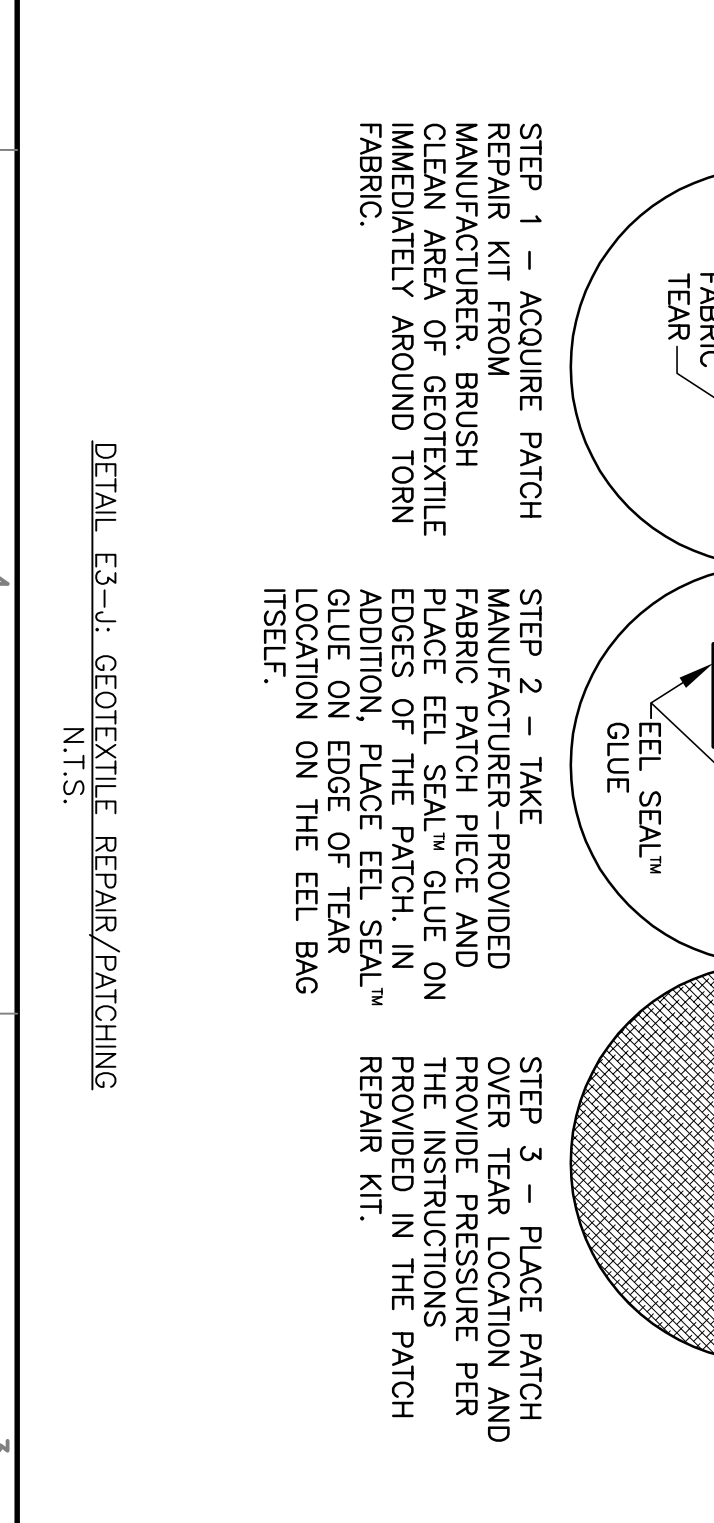
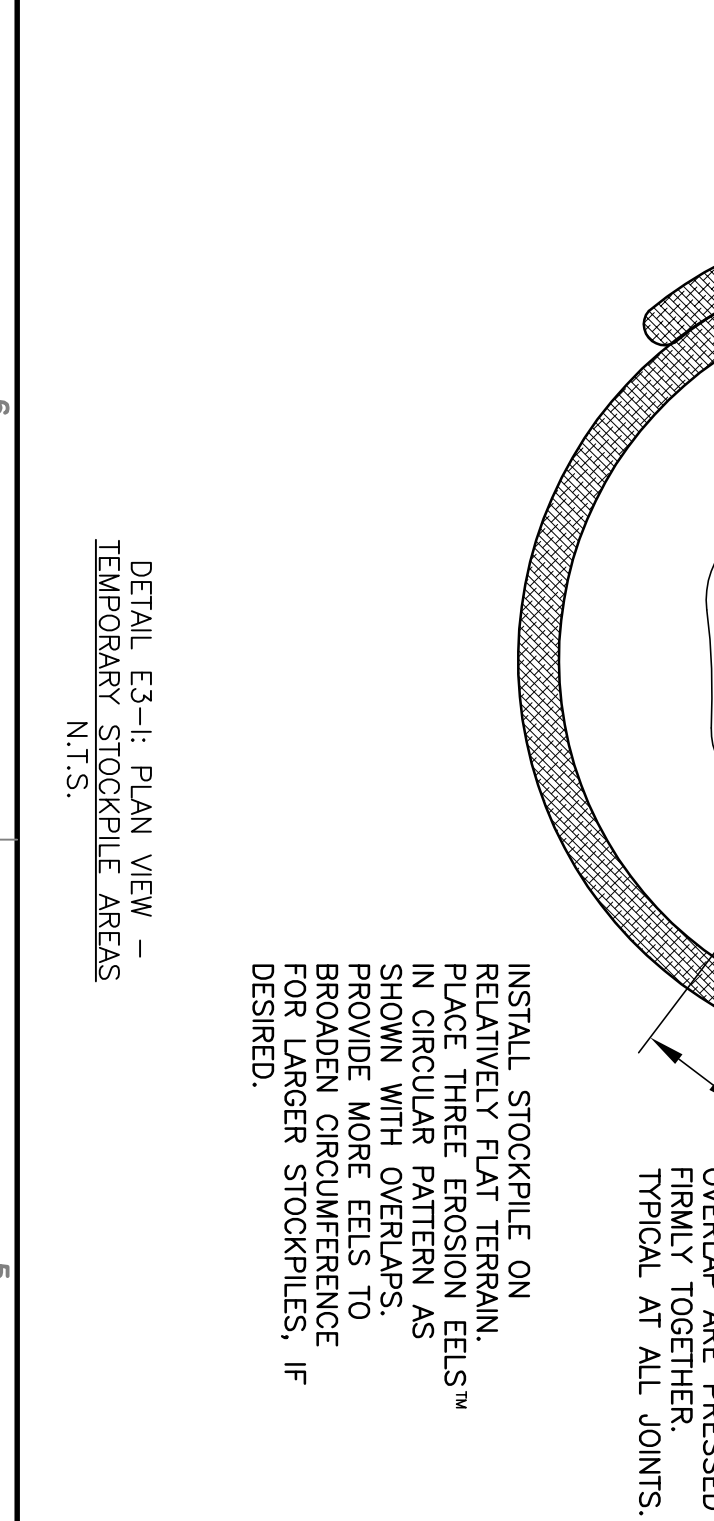
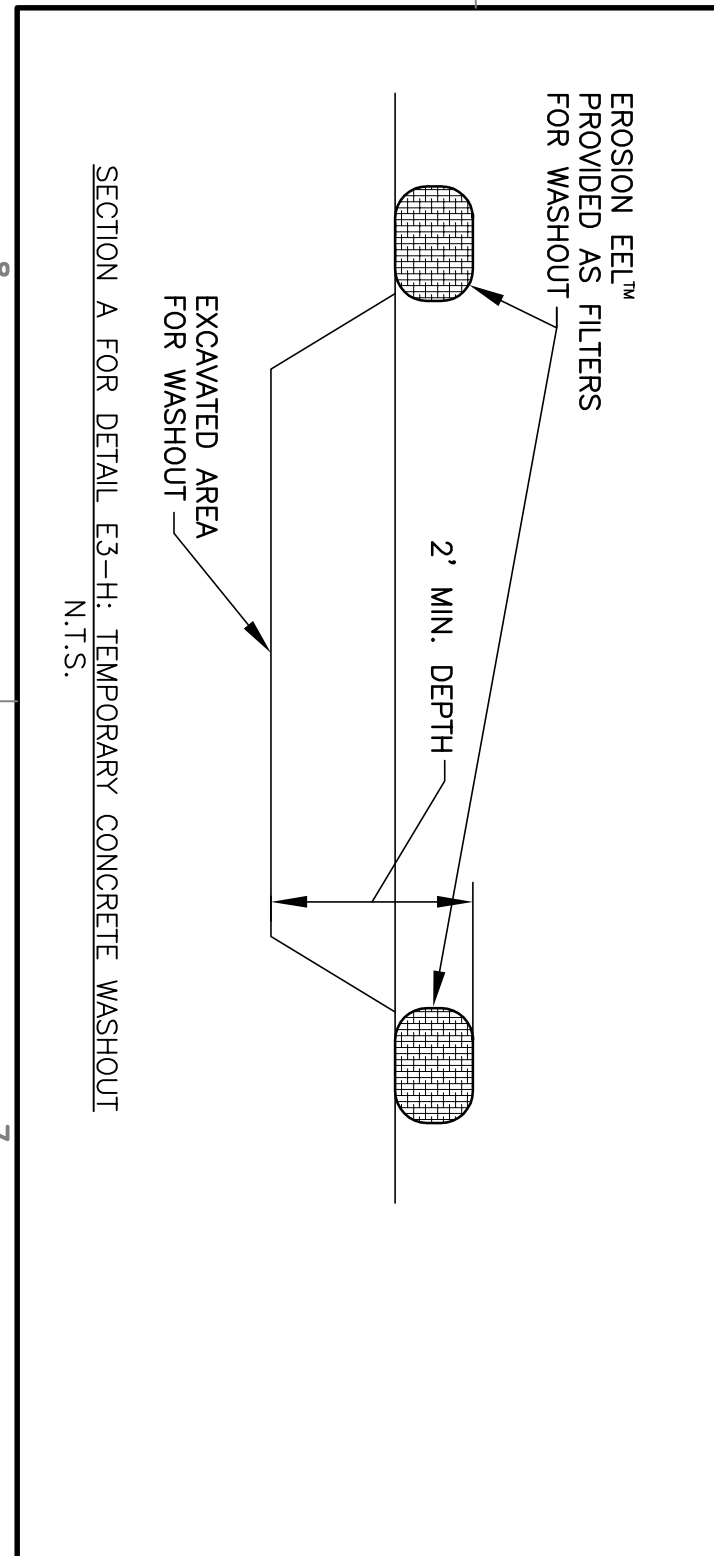
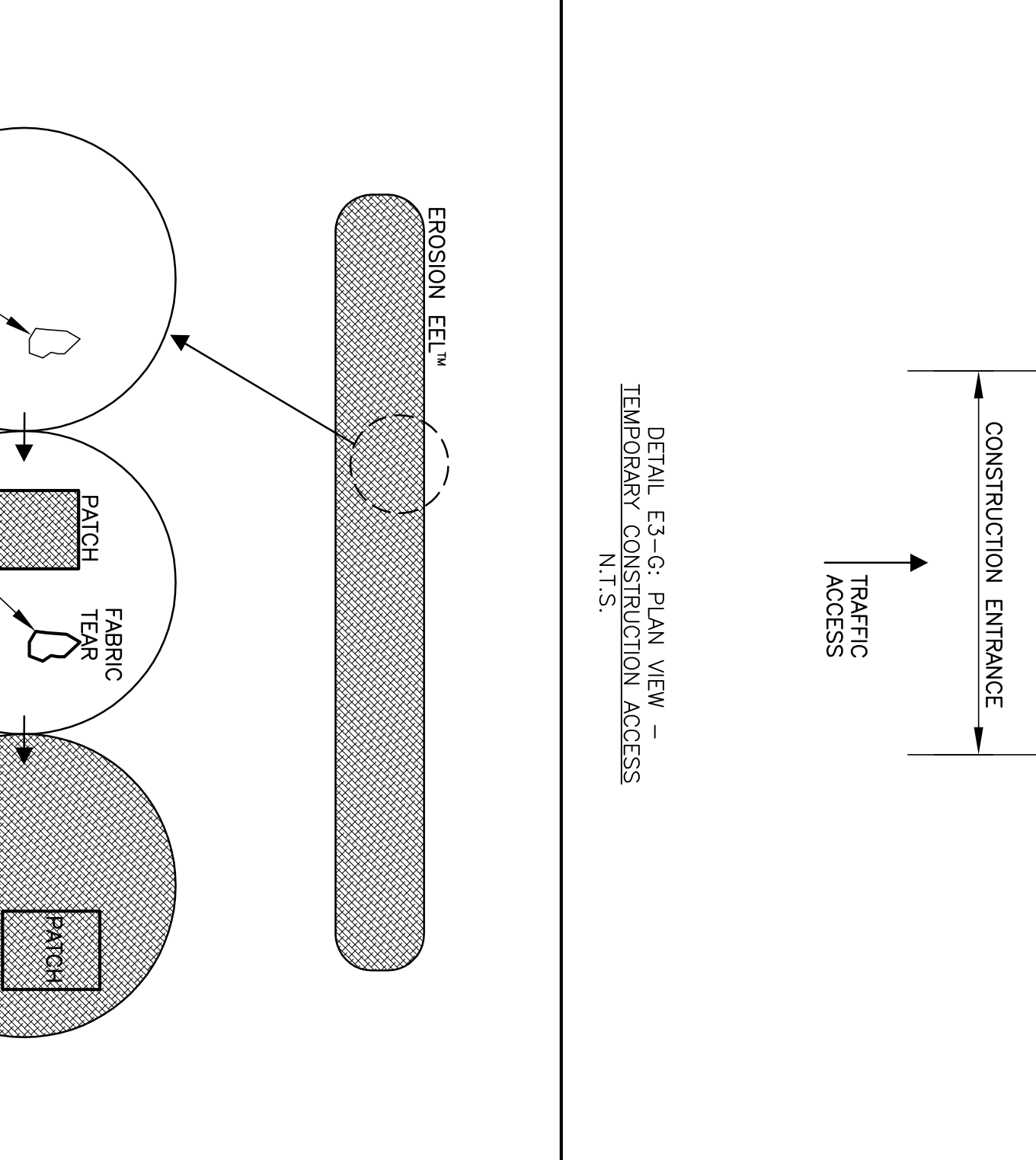
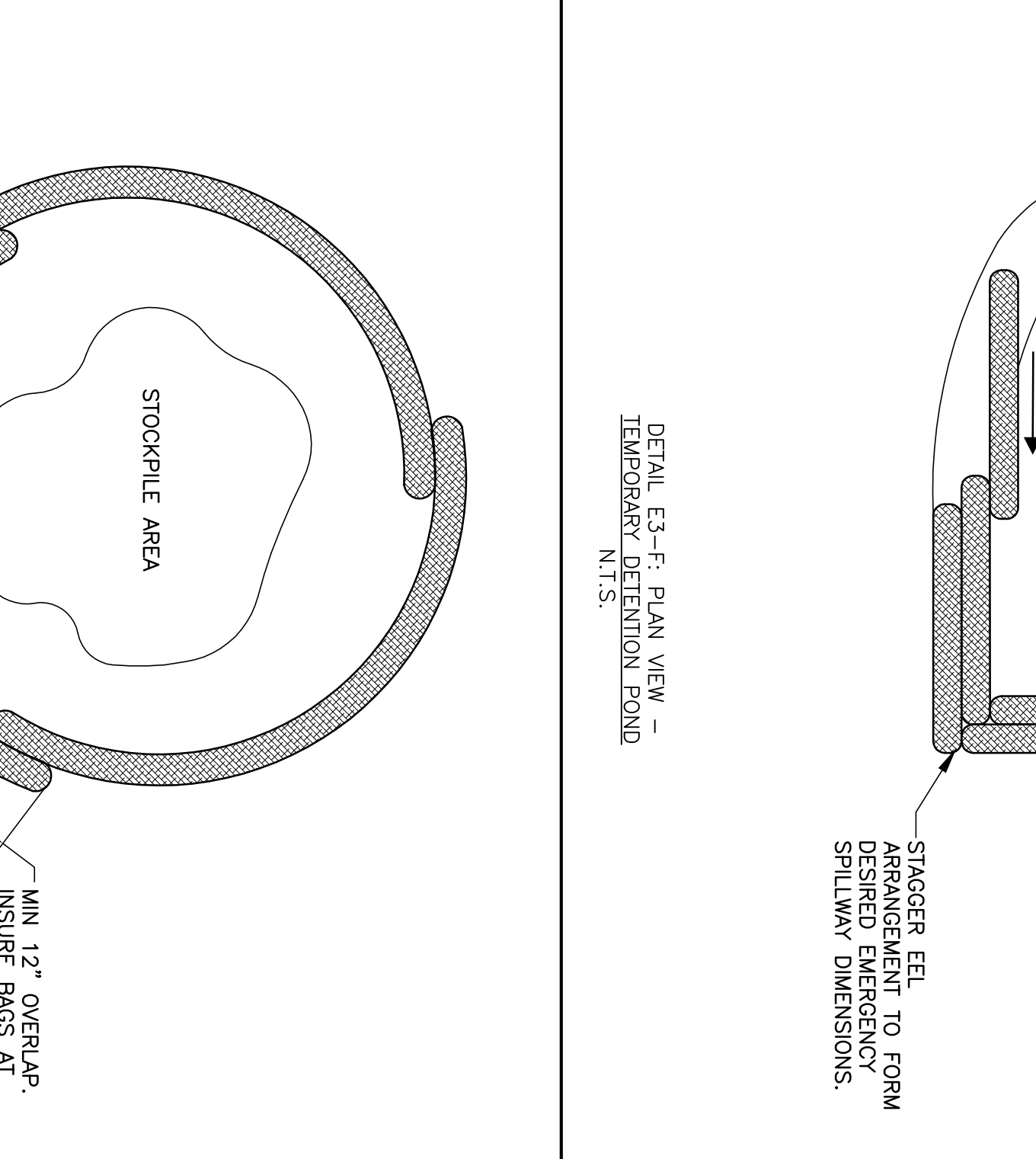
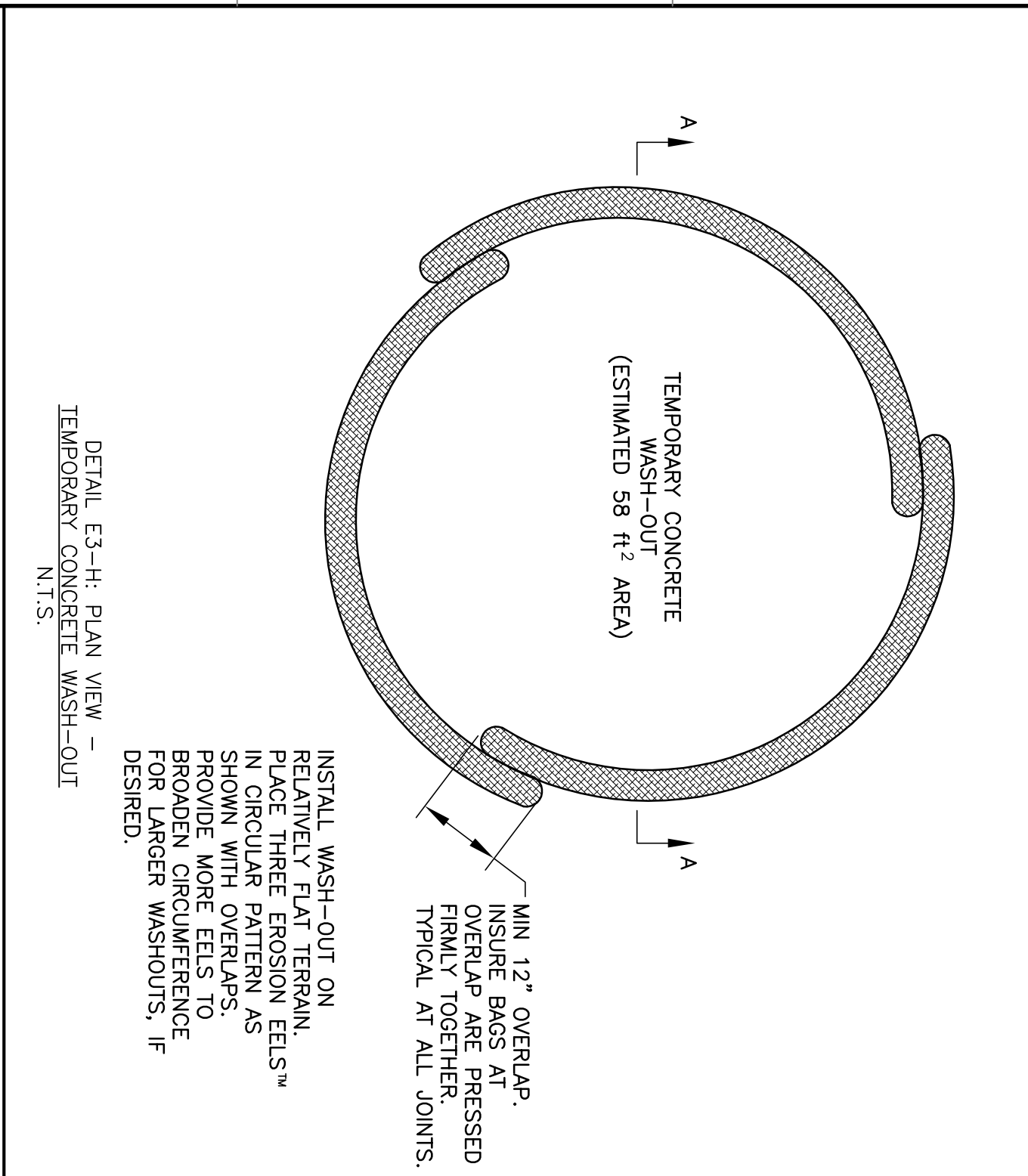


**GENERAL NOTES**

1. EROSION EELS™ USED IN INLET PROTECTION AND CONCRETE WASHOUT APPLICATIONS SHALL HAVE A SPECIFICATION MIXTURE 1.0 (FOR HIGH FLOW APPLICATIONS WHERE MINIMAL PONDING IS DESIRED) OR 1.1.
2. EROSION EELS™ USED IN DIVERSION BERM APPLICATIONS SHALL HAVE A SPECIFICATION MIXTURE 1.0.
3. CONSULT WITH THE MANUFACTURER'S REPRESENTATIVE FOR EEL WAREHOUSE TYPES REQUIRED FOR SPECIFIC POND APPLICATIONS.
4. EROSION EELS™ SHALL BE MANUFACTURED FROM A WOVEN GEOTEXTILE COMING WITH INTERIOR FILTER MATERIALS SUCH AS TORN SHREDDED RUBBER RUBBER (1/2" ASHAP-DERIVED) WOOD CHIPS (1/2" RECYCLED SYNTHETIC FIBERS (WATER SPECIFICATION 1.2) OR 1/2" SHREDDED FROM RECYCLED TRES) AND SHALL BE SCHEDULED TO PROVIDE A MAXIMUM PARTICLE SIZE OF 1/2" (1.25 INCH). THE WOOD CHIPS SHALL BE SCHEDULED TO PROVIDE A MAXIMUM PARTICLE SIZE OF 1/2" (1.25 INCH).
5. EROSION EELS™ USED IN DIVERSION BERM APPLICATIONS SHALL HAVE A SPECIFICATION MIXTURE 1.0.
6. EROSION EELS™ USED IN DIVERSION BERM APPLICATIONS SHALL HAVE A SPECIFICATION MIXTURE 1.0.
7. EROSION EELS™ USED IN DIVERSION BERM APPLICATIONS SHALL HAVE A SPECIFICATION MIXTURE 1.0.
8. EROSION EELS™ USED IN DIVERSION BERM APPLICATIONS SHALL HAVE A SPECIFICATION MIXTURE 1.0.
9. EROSION EELS™ USED IN DIVERSION BERM APPLICATIONS SHALL HAVE A SPECIFICATION MIXTURE 1.0.
10. EROSION EELS™ USED IN DIVERSION BERM APPLICATIONS SHALL HAVE A SPECIFICATION MIXTURE 1.0.
11. EROSION EELS™ USED IN DIVERSION BERM APPLICATIONS SHALL HAVE A SPECIFICATION MIXTURE 1.0.
12. EROSION EELS™ USED IN DIVERSION BERM APPLICATIONS SHALL HAVE A SPECIFICATION MIXTURE 1.0.
13. EROSION EELS™ USED IN DIVERSION BERM APPLICATIONS SHALL HAVE A SPECIFICATION MIXTURE 1.0.
14. EROSION EELS™ USED IN DIVERSION BERM APPLICATIONS SHALL HAVE A SPECIFICATION MIXTURE 1.0.
15. EROSION EELS™ USED IN DIVERSION BERM APPLICATIONS SHALL HAVE A SPECIFICATION MIXTURE 1.0.
16. EROSION EELS™ USED IN DIVERSION BERM APPLICATIONS SHALL HAVE A SPECIFICATION MIXTURE 1.0.
17. EROSION EELS™ USED IN DIVERSION BERM APPLICATIONS SHALL HAVE A SPECIFICATION MIXTURE 1.0.
18. EROSION EELS™ USED IN DIVERSION BERM APPLICATIONS SHALL HAVE A SPECIFICATION MIXTURE 1.0.
19. EROSION EELS™ USED IN DIVERSION BERM APPLICATIONS SHALL HAVE A SPECIFICATION MIXTURE 1.0.
20. EROSION EELS™ USED IN DIVERSION BERM APPLICATIONS SHALL HAVE A SPECIFICATION MIXTURE 1.0.



**GENERAL NOTES**

1. EROSION EELS™ USED IN INLET PROTECTION AND CONCRETE WASHOUT APPLICATIONS SHALL HAVE A SPECIFICATION MIXTURE 1.0 (FOR HIGH FLOW APPLICATIONS WHERE MINIMAL PONDING IS DESIRED) OR 1.1.
2. EROSION EELS™ USED IN DIVERSION BERM APPLICATIONS SHALL HAVE A SPECIFICATION MIXTURE 1.0.
3. CONSULT WITH THE MANUFACTURER'S REPRESENTATIVE FOR EEL WAREHOUSE TYPES REQUIRED FOR SPECIFIC POND APPLICATIONS.
4. EROSION EELS™ SHALL BE MANUFACTURED FROM A WOVEN GEOTEXTILE COMING WITH INTERIOR FILTER MATERIALS SUCH AS TORN SHREDDED RUBBER RUBBER (1/2" ASHAP-DERIVED) WOOD CHIPS (1/2" RECYCLED SYNTHETIC FIBERS (WATER SPECIFICATION 1.2) OR 1/2" SHREDDED FROM RECYCLED TRES) AND SHALL BE SCHEDULED TO PROVIDE A MAXIMUM PARTICLE SIZE OF 1/2" (1.25 INCH). THE WOOD CHIPS SHALL BE SCHEDULED TO PROVIDE A MAXIMUM PARTICLE SIZE OF 1/2" (1.25 INCH).
5. EROSION EELS™ USED IN DIVERSION BERM APPLICATIONS SHALL HAVE A SPECIFICATION MIXTURE 1.0.
6. EROSION EELS™ USED IN DIVERSION BERM APPLICATIONS SHALL HAVE A SPECIFICATION MIXTURE 1.0.
7. EROSION EELS™ USED IN DIVERSION BERM APPLICATIONS SHALL HAVE A SPECIFICATION MIXTURE 1.0.
8. EROSION EELS™ USED IN DIVERSION BERM APPLICATIONS SHALL HAVE A SPECIFICATION MIXTURE 1.0.
9. EROSION EELS™ USED IN DIVERSION BERM APPLICATIONS SHALL HAVE A SPECIFICATION MIXTURE 1.0.
10. EROSION EELS™ USED IN DIVERSION BERM APPLICATIONS SHALL HAVE A SPECIFICATION MIXTURE 1.0.
11. EROSION EELS™ USED IN DIVERSION BERM APPLICATIONS SHALL HAVE A SPECIFICATION MIXTURE 1.0.
12. EROSION EELS™ USED IN DIVERSION BERM APPLICATIONS SHALL HAVE A SPECIFICATION MIXTURE 1.0.
13. EROSION EELS™ USED IN DIVERSION BERM APPLICATIONS SHALL HAVE A SPECIFICATION MIXTURE 1.0.
14. EROSION EELS™ USED IN DIVERSION BERM APPLICATIONS SHALL HAVE A SPECIFICATION MIXTURE 1.0.
15. EROSION EELS™ USED IN DIVERSION BERM APPLICATIONS SHALL HAVE A SPECIFICATION MIXTURE 1.0.
16. EROSION EELS™ USED IN DIVERSION BERM APPLICATIONS SHALL HAVE A SPECIFICATION MIXTURE 1.0.
17. EROSION EELS™ USED IN DIVERSION BERM APPLICATIONS SHALL HAVE A SPECIFICATION MIXTURE 1.0.
18. EROSION EELS™ USED IN DIVERSION BERM APPLICATIONS SHALL HAVE A SPECIFICATION MIXTURE 1.0.
19. EROSION EELS™ USED IN DIVERSION BERM APPLICATIONS SHALL HAVE A SPECIFICATION MIXTURE 1.0.
20. EROSION EELS™ USED IN DIVERSION BERM APPLICATIONS SHALL HAVE A SPECIFICATION MIXTURE 1.0.

NOTE: DRAWINGS SUBJECT TO REVISIONS AT DISCRETION OF MANUFACTURER	
SHEET OF	LAST EDIT DATE: JUNE 7, 2007 DRAWN BY: LM
DWG NO.: E-3	DWG SCALE: N.T.S. CHECKED BY: KW
PROJECT NO:	QUALITY MANAGER APPROVAL: KW

**DIVERSION BERM, INLET PROTECTION, PONDS, AND CONCRETE WASHOUT DETAILS FOR THE EROSION EEL™**

**FRIENDLY ENVIRONMENT**  
100 PRINCE STREET  
SHELBYVILLE, TENNESSEE 37160  
1-931-607-5953

Authorized Use:	<input type="checkbox"/> Survey <input type="checkbox"/> Design Dev. <input type="checkbox"/> Permitting <input type="checkbox"/> Bidding <input type="checkbox"/> Construction	
SUBMITTAL & REVISION RECORD		
NO.	DATE	DESCRIPTION

866-428-3357